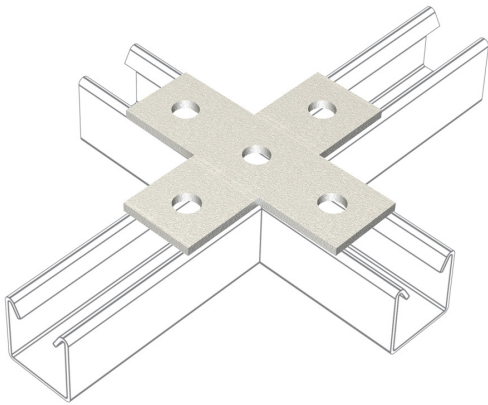


PRODUCT CODE: MP55
CHANNEL BRACKET



DESCRIPTION

Flat Crossover (4 way) Bracket

FINISH

Hot Dipped Galvanised

MATERIAL

Steel

PACKAGING

Packed in qty 25

ADDITIONAL NOTES

Compliant to LU Standard 1-085 (for use on surface & sub-surface locations)

